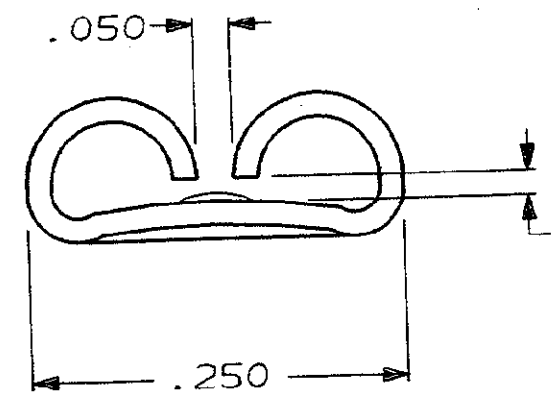
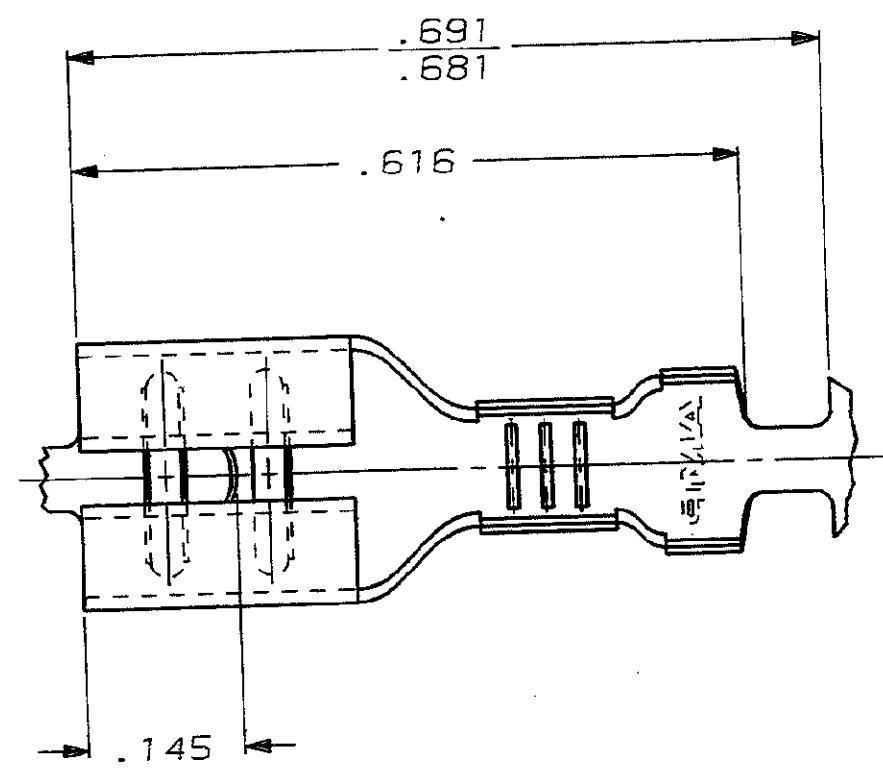


DRAWING MADE IN THIRD ANGLE PROJECTION

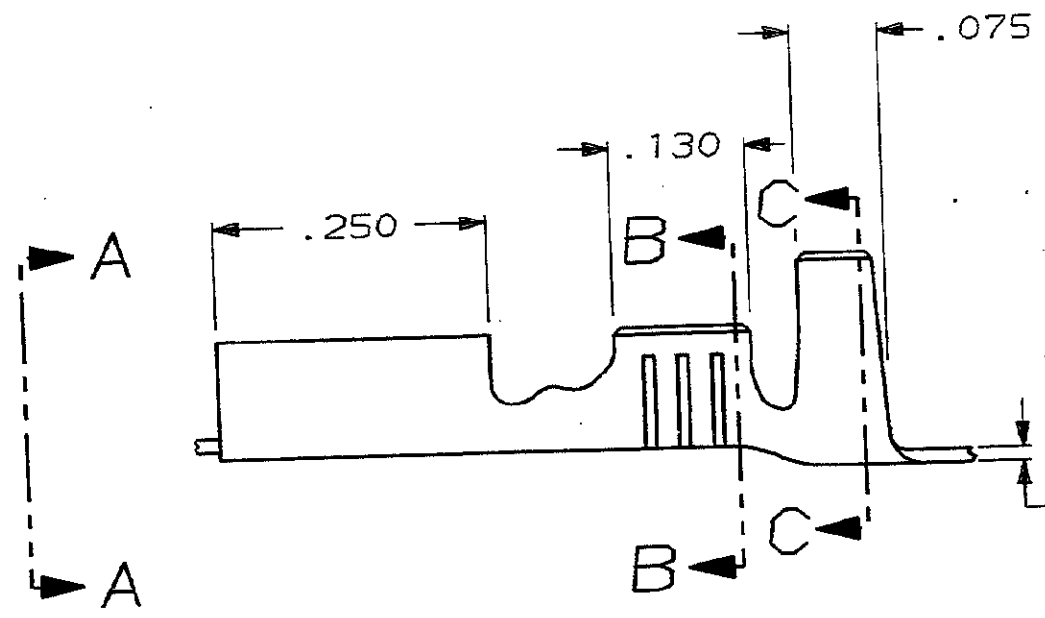
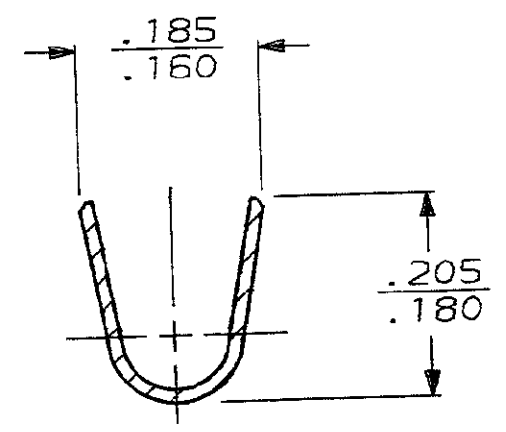
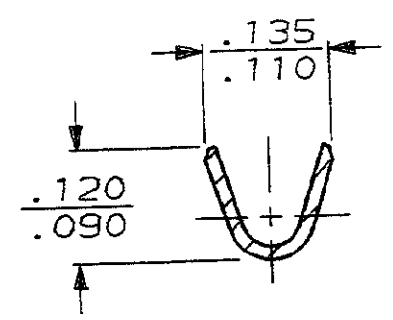
THIS DRAWING IS UNPUBLISHED. RELEASED FOR PUBLICATION .19
 © COPYRIGHT 19 BY AMP INCORPORATED. ALL INTERNATIONAL RIGHTS RESERVED.

LOC	DIST	P	F	ZONE	LTR	REVISIONS	DESCRIPTION	DATE	APPD
AF	50						REDRA PER AF-5809, SEP FROM 42198	2-22-89	OKS



△ TIN PL .000150 MIN THK

FITS '205' SERIES FASTON TAB



OBSOLETE

FINISH	NONE	MATING TAB THK ±.001	.032	WIRE SIZE	22-18	INSULATION RANGE	.085 - .125	PART NO	42299-2 42299-1
MATERIAL	#4H BRASS	DR	2-22-89	CHK	OKS	AMP INCORPORATED Harrisburg, Pa. 17105			
FINISH	SEE TABLE	APPD	3/8/89	APPD	3/8/89	RECEPTACLE, FASTON,™ "205" SERIES			
SIZE	B	FSCM NO	00779	DRAWING NO	42299				
SCALE	6:1	SHEET	1 OF 1						

CUSTOMER DRAWING